

Electric Window Actuators



Conel Stand Alone Window Operator	126
Conel Keypad Window Operator	128

Conel Stand Alone Window Operator

General Information

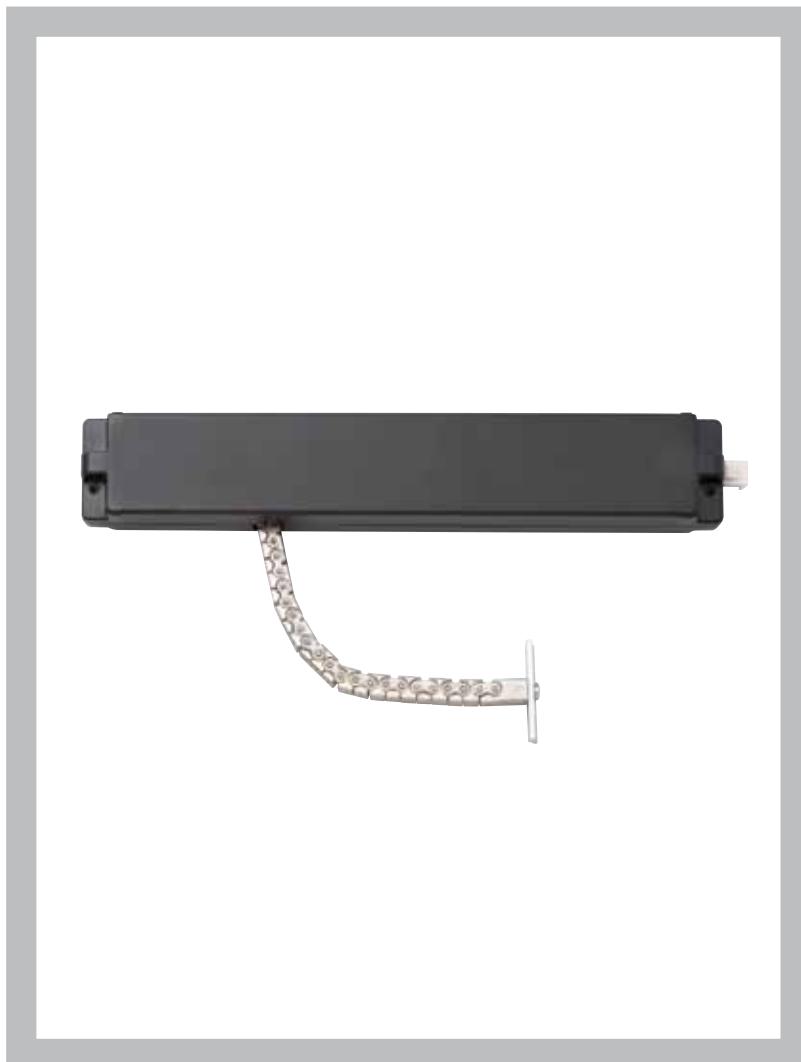
Opening and closing multiple sashes to optimise air flow has never been easier. The Conel Standalone range of electronic window operators are designed to be operated with standard “off the shelf” switches or alternatively connected to various Smart home or building management systems through a C-Bus interface.

From single to multiple sashes, Conel offers the perfect combination of convenience, flexibility and safety.

You can electronically open and close numerous windows from one handy location. Slim and unobtrusive, Conel electronic window systems blend into the surrounding joinery and can even be completely concealed from view within the joinery itself.

Features

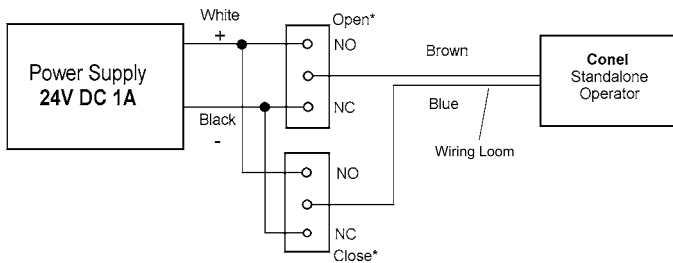
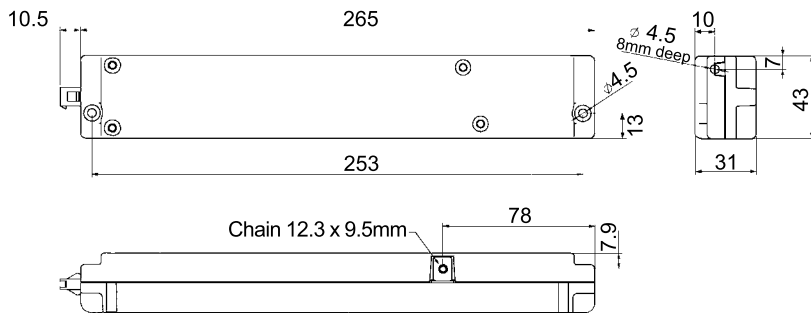
- Operator body size 265mm L x 43mm W x 31mm H with 253mm fixing hole centres
- Nickel plated zinc chain with stainless steel pins
- Slim unobtrusive design
- Easy and quick installation
- Smooth operation with 24V motor
- Suitable for aluminium, timber and PVC installations
- Not suitable for sashes larger than 400mm x 900mm or heavier than 35kg
- Suitable for casement and awning windows
- Stand alone switch controlled per window
- Smart house compatibility with BMS and Cbus systems
- Stroke lengths 150mm or 250mm (remove plug to achieve 250mm)



Applications

- Windows too high to reach for regular opening
- Multiple operation of unlimited windows with standalone switches
- C-Bus interface system

Conel Stand Alone Window Operator



Conel Window Operator

Voltage	24VDC (Standalone)
Current	Current 500mA Max
Operating Force	Opening/ Closing Force 150N
Stroke Length	Maximum Opening Stroke 250mm
Stroke Time	Closing time approx 25 seconds
Environment	-15 to +50°C
Case/ Cover	High purity Zinc alloy construction
Chain	Nickel plated zinc with Stainless Steel pins
Dimensions	265mm x 43mm x 31mm
Cabling	1m Cable supplied
Standard Finishes	Pearl White, Black or special colour Polyester Powdercoat

Ordering Information

Product Description	Part Number
250mm Standalone Version Conel (includes transformer)	36A-PH2500-###
Accessories	
Standalone Transformer Only, 24V DC	36A-T0D000-00F
Hinge Kit	P4578

Replace ### with powdercoat colour reference;
BKF=black, PWF= pearl white, SPF= special colour

Conel Keypad Window Operator

General Information

Opening and closing multiple sashes to optimise air flow has never been easier. From single to multiple sashes, Conel offers the perfect combination of convenience, flexibility and safety.

You can electronically open and close up to four windows from one handy location. Slim and unobtrusive, Conel electronic window systems blend into the surrounding joinery and can even be completely concealed from view within the joinery itself.

Features

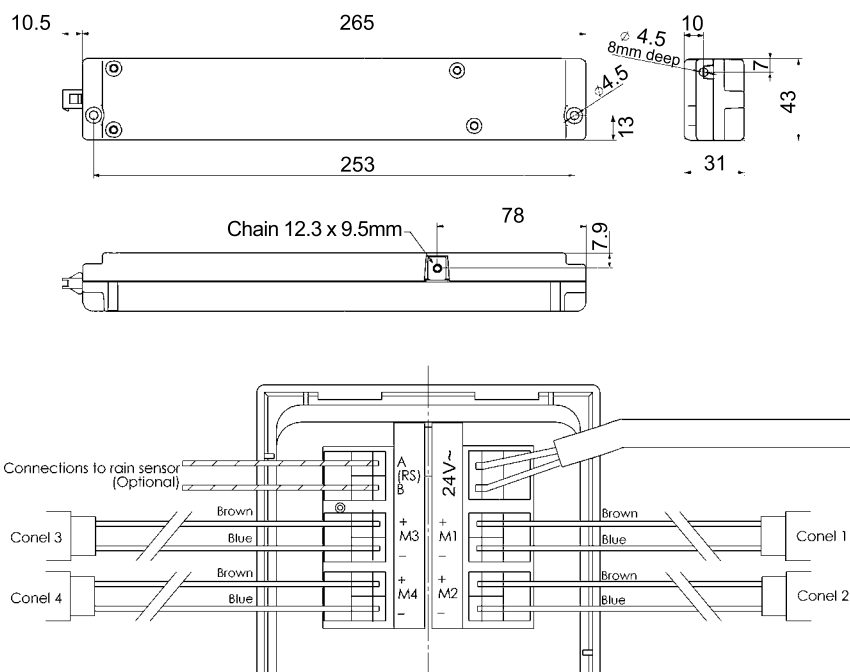
- Operator body size 265mm L x 43mm W x 31mm H with 253mm fixing hole centres
- Nickel plated zinc chain with stainless steel pins
- Slim unobtrusive design
- Easy and quick installation
- Smooth operation with 24V motor
- Suitable for aluminium, timber and PVC installations
- Variable window positioning at the touch of a button
- Not suitable for sashes larger than 400mm x 900mm or heavier than 35kg
- Suitable for casement and awning windows
- Rain sensor option available (one per keypad)
- Control of up to four sashes on one keypad
- Control 4 windows to open either 25%, 50%, 75% or 100% from your keypad



Applications

- Windows too high to reach for regular opening
- Multiple operation of up to 4 windows (Keypad Version)
- Window operation at the press of a button

Conel Keypad Window Operator



Conel Window Operator

Voltage	24VAC (Keypad)
Current	Current 500 mA Max
Operating Force	Opening/ Closing Force 150N
Stroke Length	Maximum Opening Stroke 250mm
Stroke Time	Closing time approx 25 seconds
Environment	-15 to +50°C
Case/ Cover	High purity Zinc alloy construction
Chain	Nickel plated zinc with Stainless Steel pins
Dimensions	265mm x 43mm x 31mm
Cabling	1m Cable supplied
Standard Finishes	Pearl White, Black or special colour Polyester Powdercoat

Ordering Information

Product Description	Part Number
250mm Keypad Version Conel (1per sash)	36A-DH2500-###
Conel Keypad and Transformer	36A-E00000-00F
Accessories	
Conel Keypad Only	36A-T00000-00F
Keypad Transformer Only, 24V AC	P4587
Electric Rain Sensor	P4578
Hinge Kit	

Replace ### with powdercoat colour reference;
BKF=black, PWF= pearl white, SPF= special colour